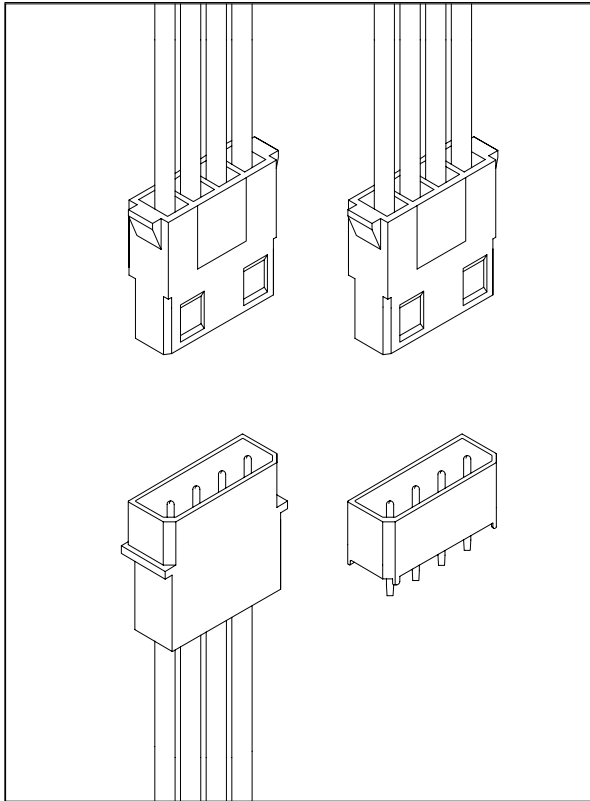
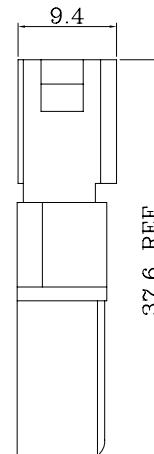


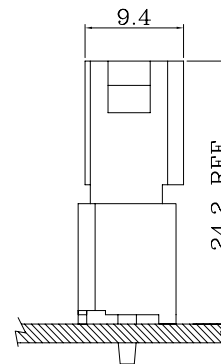
A2430/A2440 SERIES 5.08mm Pitch Wire to Wire and Wire to Board connector



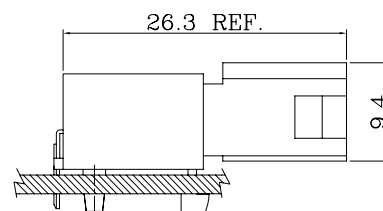
Assembly Layout/装配方案



Wire to Wire/线对线



Wire to Board/线对板(直插)



Wire to Board/线对板(弯插)

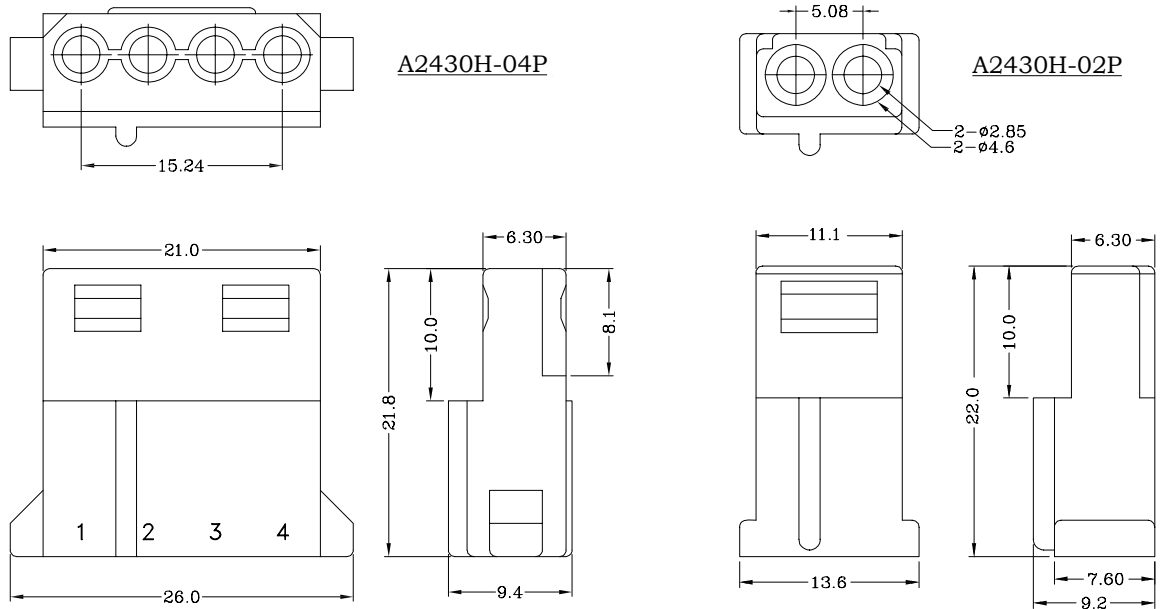
Specifications/技术参数:

Poles/位数	2, 4 Poles
Pitch between poles/间距	5.08mm
Rated Voltage/额定电压	250V AC,DC
Rated Current/额定电流	10A (MAX.)
Withstand Voltage/耐压值	1500V AC/minute
Contact Resistance/接触电阻	20mΩ (MAX.)
Insulation Resistance/绝缘电阻	1000MΩ (MIN.)
Temperature Range/温度范围	-25°C ~ +85°C
Applicable Wire Range/适用线径	AWG #16~#22

A2430 SERIES 5.08mm Pitch Crimp Terminal Socket

Features/产品特性:

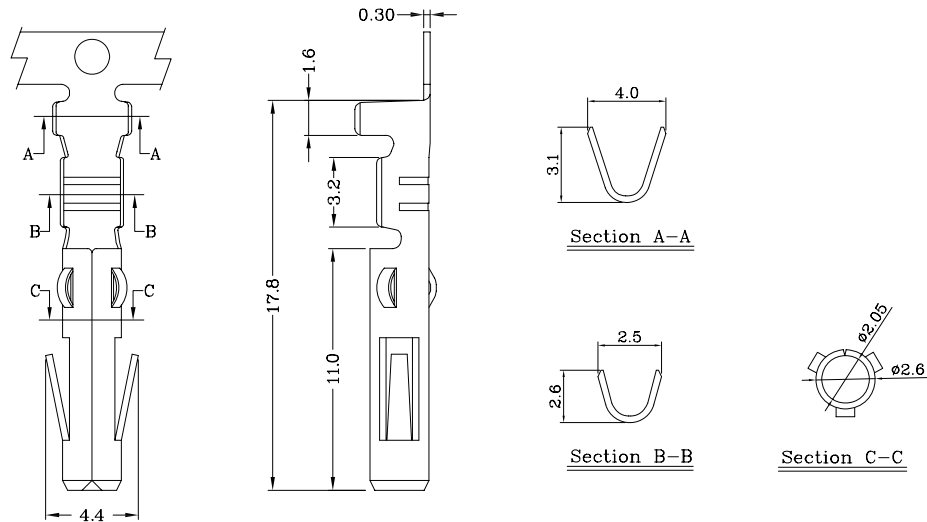
- * Material(材质): Nylon 66 UL 94V-0 (White)
- * Suitable for A2430 series terminal (适用于A2430系列端子)
- * Mates with A2440 receptacle and A2440 wafer (与A2440塑壳或A2440插座配合)



A2430 SERIES 5.08mm Pitch Crimp Terminal

Features/产品特性:

- * Used in A2430 series socket (用于A2430系列塑壳)

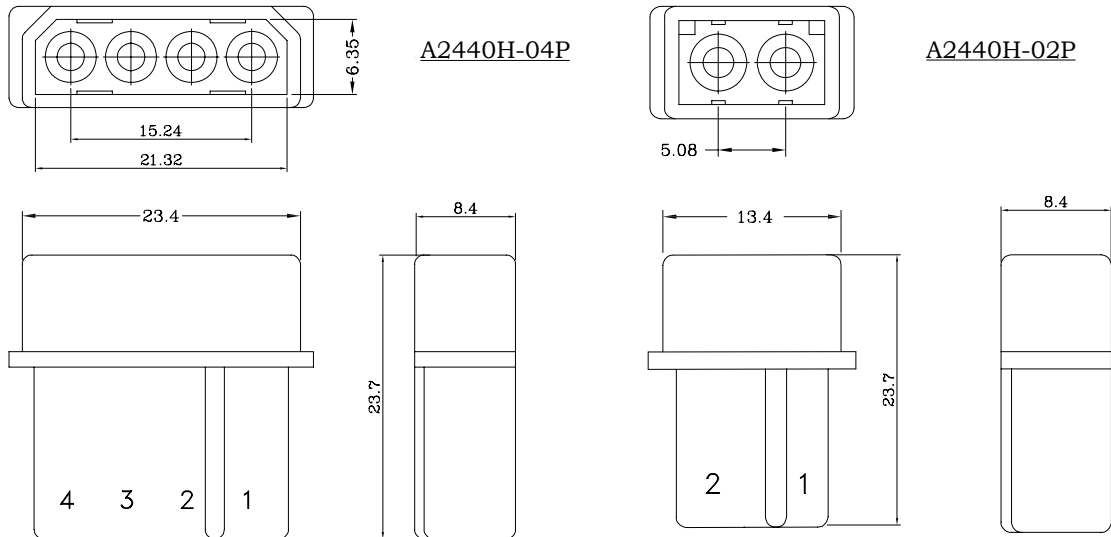


Part No./产品型号	Wire Range/线径范围	Insulation O.D/线外径	Material/材质	Finish/表面处理
A2430T	AWG #16 ~ #22	2.70mm(max)	Brass	Tin-plated
A2430T-P	AWG #16 ~ #22	2.70mm(max)	Phosphor bronze	Tin-plated

A2440 SERIES 5.08mm Pitch Crimp Terminal Socket

Features/产品特性:

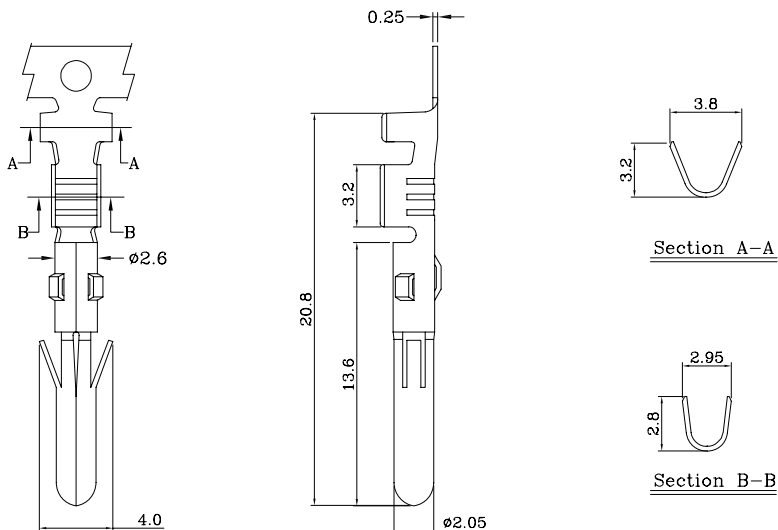
- * Material(材质): Nylon 66 UL 94V-0 (White)
- * Suitable for A2440 series terminal (适用于A2440系列端子)
- * Mates with A2430 receptacle (与A2430塑壳)



A2440 SERIES 5.08mm Pitch Crimp Terminal

Features:

- * Used in A2440 series socket (用于A2440系列塑壳)

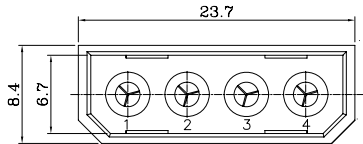


Part No./产品型号	Wire Range/线径范围	Insulation O.D/线外径	Material/材质	Finish/表面处理
A2440T	AWG #16 ~ #22	2.70mm(max)	Brass	Tin-plated

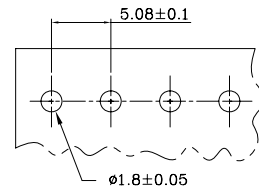
A2440 SERIES 5.08mm Pitch Wafer (S-Type)

Features/产品特性:

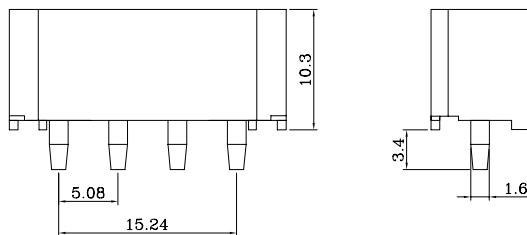
- * Material(材质):
Insulator(塑胶本体): Nylon 66 UL 94V-0 (White)
Contacts(接触件): Brass, Tin-Plated
- * Mates with A2430 socket (与A2430塑壳配合)



A2440S-04P



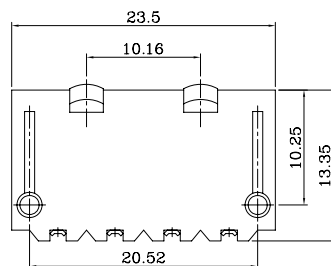
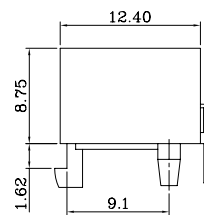
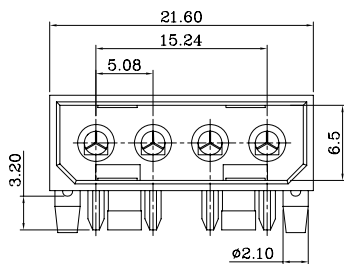
P.C.B LAYOUT
线路板布局图



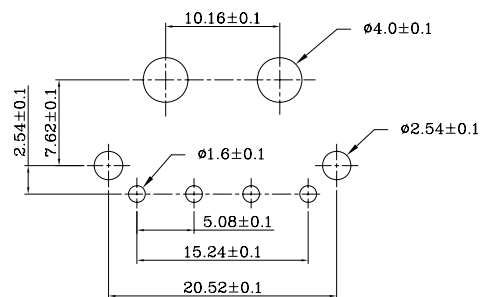
A2440 SERIES 5.08mm Pitch Wafer (R-Type)

Features/产品特性:

- * Material(材质):
Insulator(塑胶本体): Nylon 66 UL 94V-0 (White)
Contacts(接触件): Brass, Tin-Plated
- * Mates with A2430 socket (与A2430塑壳配合)



A2440R-04P



P.C.B LAYOUT
线路板布局图