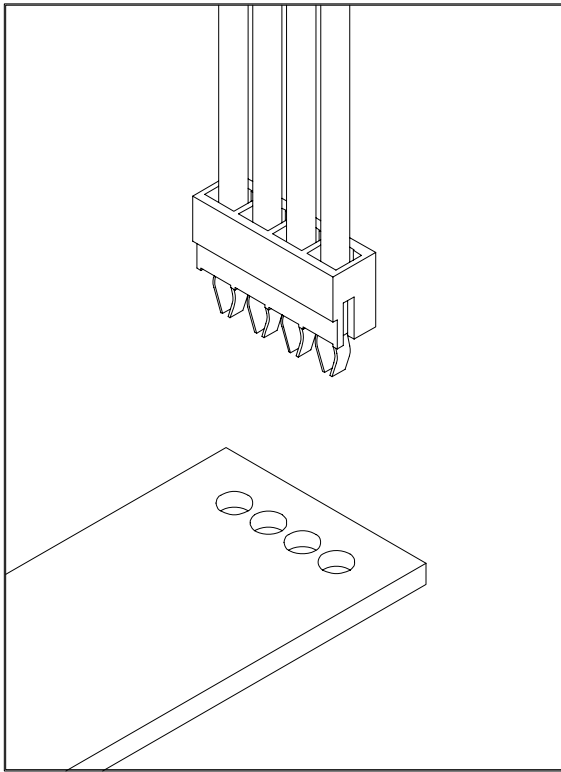
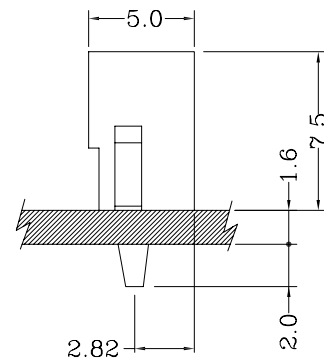


## A3096 SERIES 3.96mm Pitch Board-in Connector



Assembly Layout/装配方案



S-Type/直插型

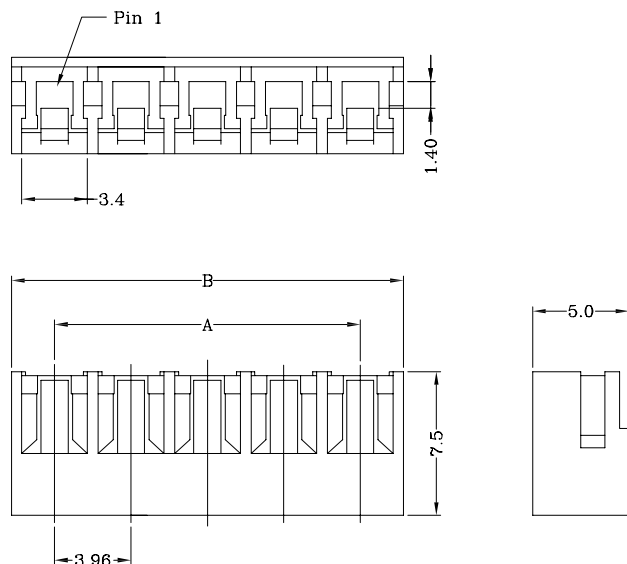
### Specifications/技术参数:

Poles/位数	2~15 Poles
Pitch between poles/间距	3.96mm
Rated Voltage/额定电压	250V AV,DC
Rated Current/额定电流	7A (AWG #16)
Withstand Voltage/耐压值	800V AC/minute
Insulation Resistance/绝缘电阻	1000MΩ (MIN.)
Temperature Range/温度范围	-25°C ~ +120°C
Applicable PCB Thickness/适用板厚	1.6mm
Applicable PCB Hole dia./适用孔径	$\phi 1.80 \pm_{0}^{0.10}$ mm
Applicable Wire Range/适用线径	AWG #16~#22

## A3096 SERIES 3.96mm Pitch Board-in Terminal Socket

Features/产品特性:

- \* Single Row Terminal Socket(单排端子塑壳)
- \* Material(材质): Nylon 66 UL 94V-0 (White)
- \* Suitable for A3096 terminal (适用于A3096系列端子)

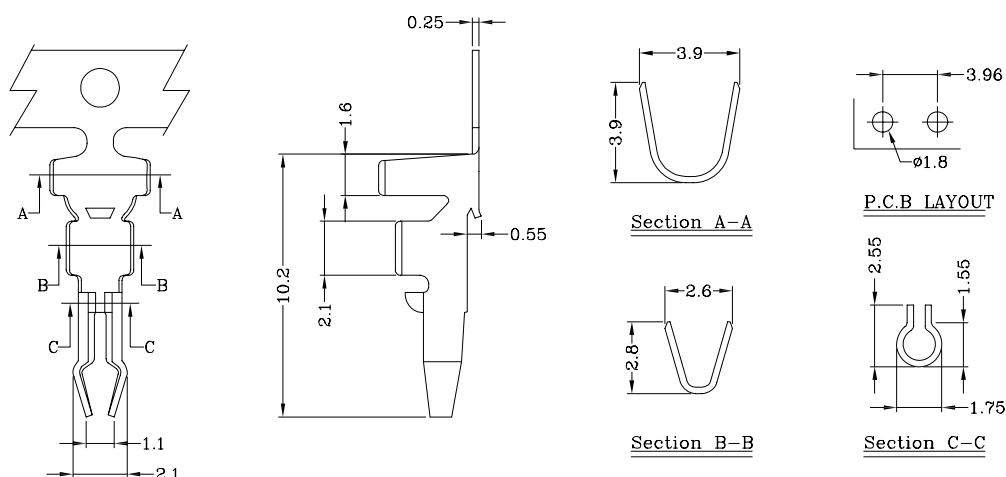


Poles 位数	Part No. 产品型号	Dimensions/尺寸	
		A	B
2	A3096H-02P	3.96	8.42
3	A3096H-03P	7.92	12.38
4	A3096H-04P	11.88	16.34
5	A3096H-05P	15.84	20.30
6	A3096H-06P	19.80	24.26
7	A3096H-07P	23.76	28.22
8	A3096H-08P	27.72	32.18
9	A3096H-09P	31.68	36.14
10	A3096H-10P	35.64	40.10
11	A3096H-11P	39.60	44.06
12	A3096H-12P	43.56	48.02
13	A3096H-13P	47.52	51.98
14	A3096H-14P	51.48	55.94
15	A3096H-15P	55.44	59.90

## A3096 SERIES 3.96mm Pitch Crimp Terminal

Features/产品特性:

- \* PCB Thickness(板厚): 1.60mm
- \* Used in A3096 Series socket (用于A3096系列塑壳)



Part No./产品型号	Wire Range/线径范围	Insulation O.D/线外径	Material/材质	Finish/表面处理
A3096T	AWG #16 ~ #22	3.10mm(max)	Brass	Tin-plated