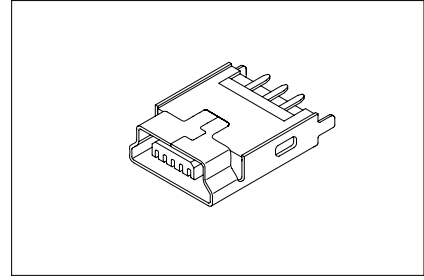


U1041 SERIES Mini USB B Type Receptacle Connectors

Specifications/技术参数:

Insulator (塑胶本体):	PA6T+30% G.F. UL 94V-0
Contacts (接触件):	Brass
Shell (外壳):	Brass
Insertion Force (插入力):	35N max
Withdrawal Force (拔出力):	7N min
Durability (插拔次数):	5000 cycles min
Current Rating (额定电流):	1.0A
Voltage Rating (额定电压):	30V
Withstand Voltage (耐压值):	100VAC for one minute
Contact Resistance (接触电阻):	50mΩ max
Insulation Resistance (绝缘电阻):	100MΩ min
Temperature Range (工作温度):	-55°C~+85°C
Plating options (电镀选项):	
Shell (外壳):	Nick over all plating
Contacts (接触件):	Gold Flash and Tin Plated over all

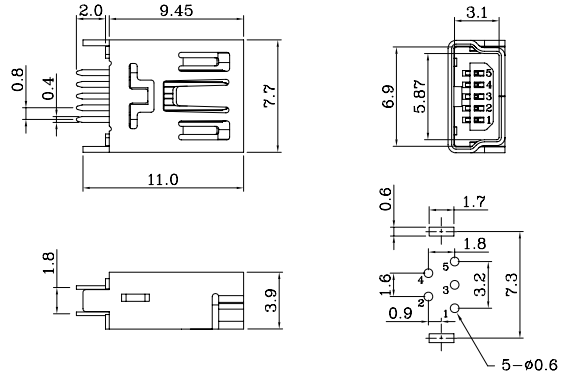
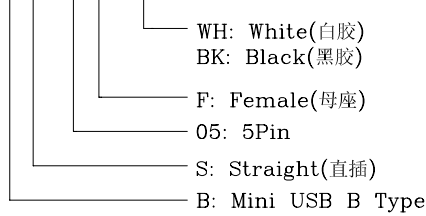
Mini USB Straight



Unit/单位: mm

Dimension/尺寸: mm

U1041 B S - 05 F - BK

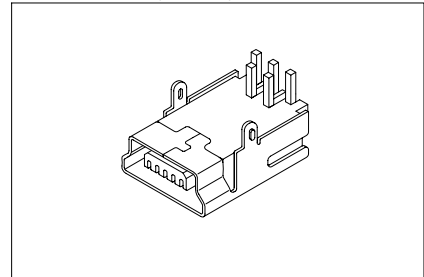


PCB LAYOUT
线路板布局图

Specifications/技术参数:

Insulator (塑胶本体):	PA6T+30% G.F. UL 94V-0
Contacts (接触件):	Brass
Shell (外壳):	Brass
Insertion Force (插入力):	35N max
Withdrawal Force (拔出力):	7N min
Durability (插拔次数):	5000 cycles min
Current Rating (额定电流):	1.0A
Voltage Rating (额定电压):	30V
Withstand Voltage (耐压值):	100VAC for one minute
Contact Resistance (接触电阻):	50mΩ max
Insulation Resistance (绝缘电阻):	100MΩ min
Temperature Range (工作温度):	-55°C~+85°C
Plating options (电镀选项):	
Shell (外壳):	Nick over all plating
Contacts (接触件):	Gold Flash and Tin Plated over all

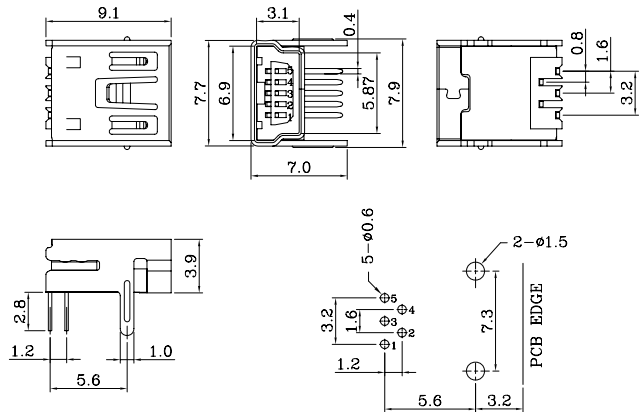
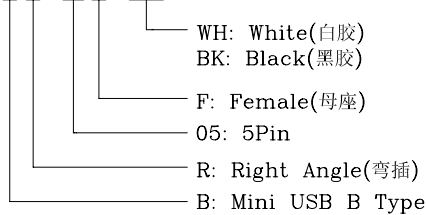
Mini USB Right Angle



Unit/单位: mm

Dimension/尺寸: mm

U1041 B R - 05 F - BK - 2A



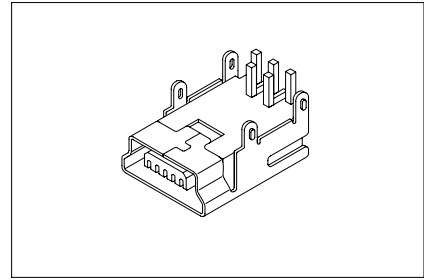
PCB LAYOUT
线路板布局图

U1041 SERIES Mini USB B Type Receptacle Connectors

Specifications/技术参数:

Insulator(塑胶本体):	PA6T+30% G.F. UL 94V-0
Contacts(接触件):	Brass
Shell(外壳):	Brass
Insertion Force(插入力):	35N max
Withdrawal Force(拔出力):	7N min
Durability(插拔次数):	5000 cycles min
Current Rating(额定电流):	1.0A
Voltage Rating(额定电压):	30V
Withstand Voltage(耐压值):	100VAC for one minute
Contact Resistance(接触电阻):	50mΩ max
Insulation Resistance(绝缘电阻):	100MΩ min
Temperature Range(工作温度):	-55°C~+85°C
Plating options(电镀选项):	
Shell(外壳):	Nick over all plating
Contacts(接触件):	Gold Flash and Tin Plated over all

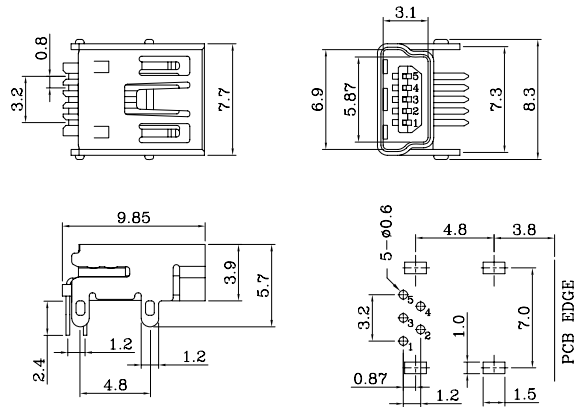
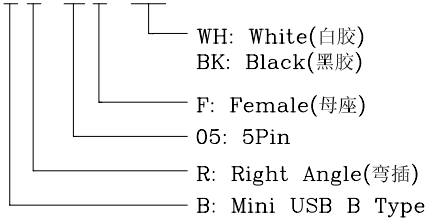
Mini USB Right Angle



Unit/单位: mm

Dimension/尺寸: mm

U1041 B R - 05 F - BK - 4A

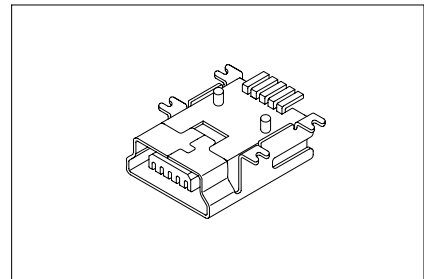


PCB LAYOUT
线路板布局图

Specifications/技术参数:

Insulator(塑胶本体):	PA6T+30% G.F. UL 94V-0
Contacts(接触件):	Brass
Shell(外壳):	Brass
Insertion Force(插入力):	35N max
Withdrawal Force(拔出力):	7N min
Durability(插拔次数):	5000 cycles min
Current Rating(额定电流):	1.0A
Voltage Rating(额定电压):	30V
Withstand Voltage(耐压值):	100VAC for one minute
Contact Resistance(接触电阻):	50mΩ max
Insulation Resistance(绝缘电阻):	100MΩ min
Temperature Range(工作温度):	-55°C~+85°C
Plating options(电镀选项):	
Shell(外壳):	Nick over all plating
Contacts(接触件):	Gold Flash and Tin Plated over all

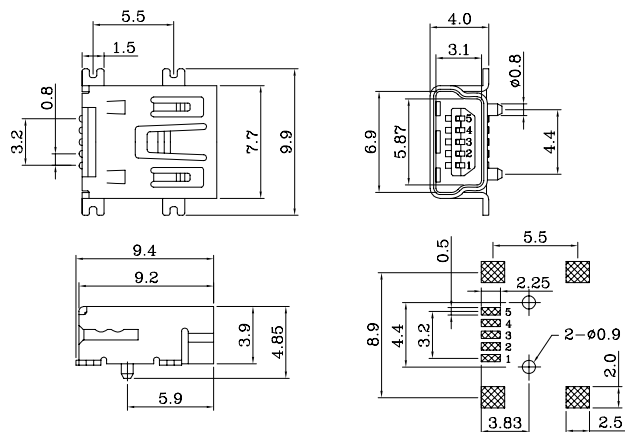
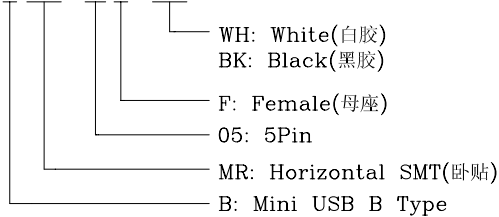
Mini USB Horizontal SMT



Unit/单位: mm

Dimension/尺寸: mm

U1041 B MR - 05 F - BK



PCB LAYOUT
线路板布局图